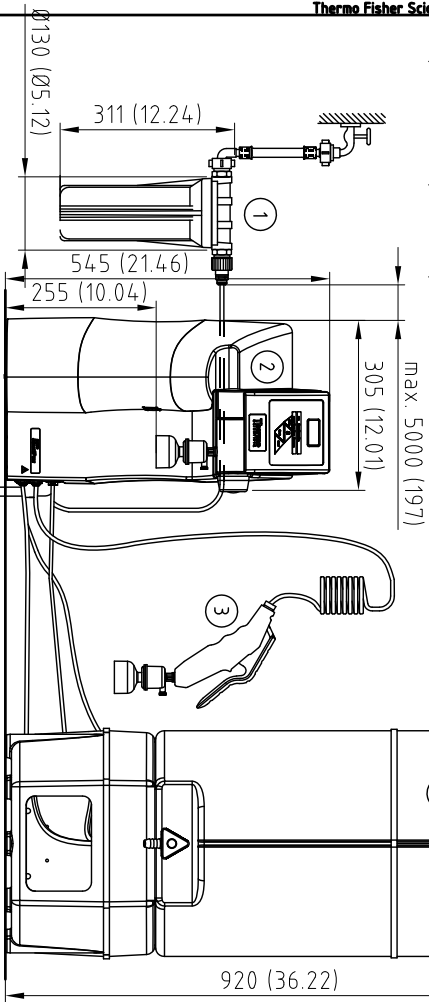


3/4" male NPT fitting with pressure and portable tap.

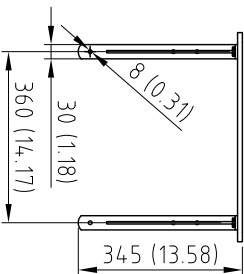
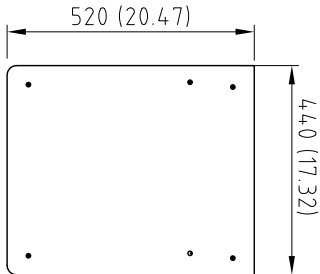


Legend:

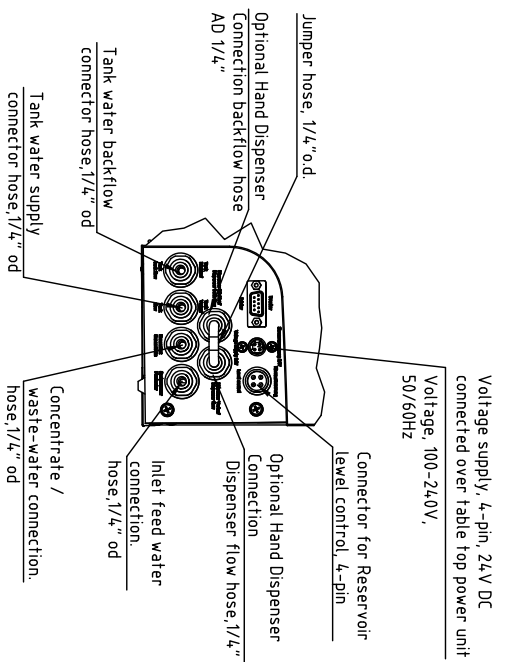
- 1 Barnstead Smart2Pure Single Pretreatment System (Item No. 09.4.003)
- 2 Barnstead Smart2Pure Ultrapur Water Purification System
- 3 OPTIONAL Hand Dispenser can be utilized up to 3m (108") from water system
- 4 Barnstead 60L Reservoir for Smart2Pure water systems
- 5 Holes are for optional wall mounting of water system with supplied hardware
- 6 OPTIONAL Reservoir Wall Mounting Bracket (Item No. 06.5016)
- 7 OPTIONAL Wall Mounting Bracket (Item No. 09.2212)

Notes:

- 1 Dual dimensions are in metric and inch



Connection Plate Smart2Pure 12



Connections from tank

ELECTRICAL REQUIREMENTS	100-240 V, 50/60 Hz, 2-1A, up to 5 ft from unit
WATER CONNECTIONS	3/4" NPT with manual shut off valve recommended
MIN/MAX INLET PRESSURE	15 - 85 PSI (0.1 - 6 bar)
RECOMMENDED FEED TEMPERATURE	2 - 35°C
RECOMMENDED FEED WATER TYPE	Tap/Potable Water
DRAIN	An atmospheric drain must be available within 5 feet of the final mounting location
Client / Town:	Project:
Date	Name
11/09/2014	Avadjeva
Checked: 11/09/2014, OPP	

Dimension sheet

Pretreatment, Smart2Pure 12, Tank

Index	Amendment	Date	Name	Scale
a	geändert	14.11.2014	MA	
b	geändert	26.11.2014	MA	



Thermo Electron LED GmbH  
 Schwelm 3, D-55672 Niederdorff  
 Tel. +49 (0)201 106 99-0

Sheet	MB114
Sheets	