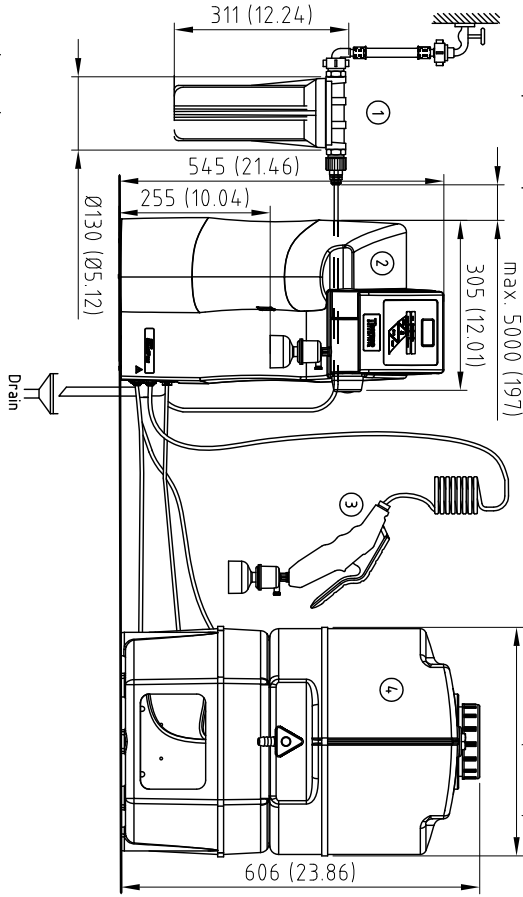


3/4" male NPT fitting with pressure and potable tap.



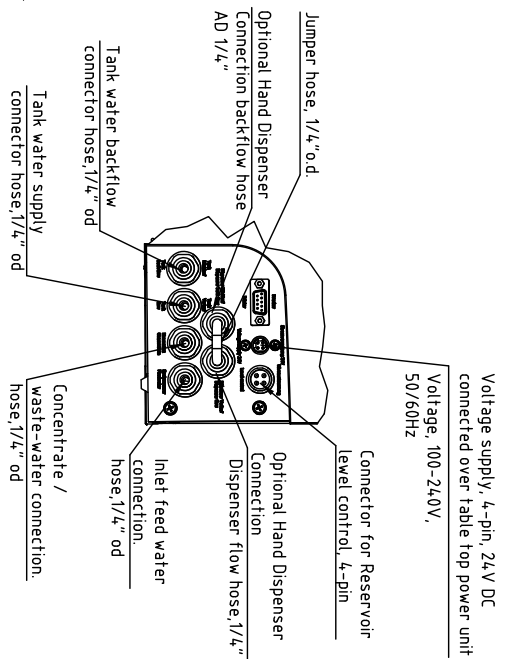
Legend:

- 1 Barnstead Smart2Pure Single Pretreatment System (Item No. 09.4003)
- 2 Barnstead Smart2Pure 12 Water System
- 3 OPTIONAL Hand Dispenser can be utilized up to 3m (108") from water system
- 4 Barnstead 30L Reservoir for Smart2Pure water systems
- 5 Holes are for optional wall mounting of water system with supplied hardware
- 6 OPTIONAL Reservoir Wall Mounting Bracket (Item No. 06.5015)
- 7 OPTIONAL Wall Mounting Bracket (Item No. 09.2212)

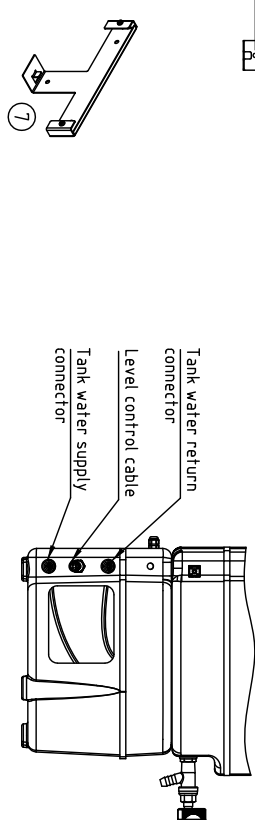
Notes:

1 Dual dimensions are in metric and inch

Connection Plate Smart2Pure 12



Connections from tank



ELECTRICAL REQUIREMENTS	100-240 V, 50/60 Hz, 2-1A, up to 5 ft from unit
WATER CONNECTIONS	3/4" NPT with manual shut off valve recommended
MIN/MAX INLET PRESSURE	15 - 85 PSI (0.1 - 6 bar)
RECOMMENDED FEED TEMPERATURE	2 - 35°C
RECOMMENDED FEED WATER TYPE	Tap/Potable Water
DRAIN	An atmospheric drain must be available within 5 feet of the final mounting location

Client / Town:	Project:	Scale:
Date:	Name:	
Drawn: 11.09.2014, Avadjeva		
Checked: 11.09.2014, OPP		
Thermo Electron LED GmbH Schwelm 3, D-55672 Niederdorff Tel. +49 (0)202 1 06 99-0		
Dimension sheet Pretreatment, Smart2Pure 12, Tank		
Sheet	MB111	Sheets