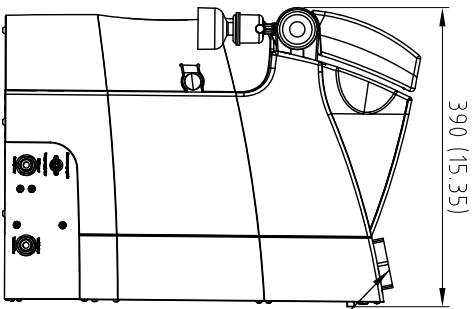
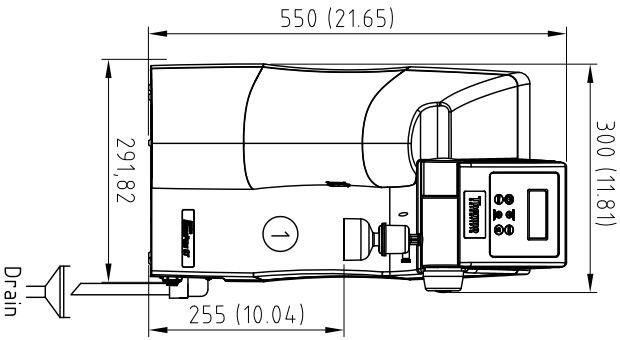
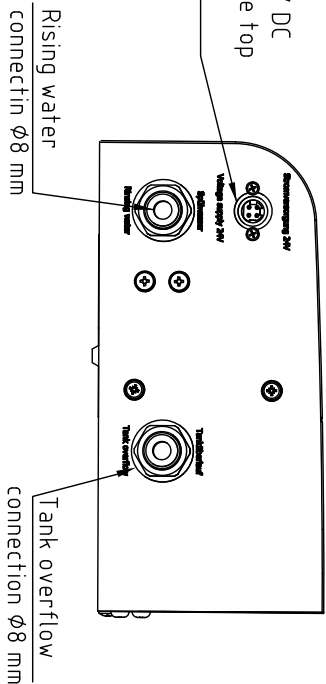


view right side



Manual Fill Port

Voltage supply, 24 V DC
 connected over table top
 power unit
 Voltage, 100-240V,
 50/60Hz



Connection Plate MicroPure-ST

Legend:

- 1 Barnstead MicroPure-ST Ultrapure Water Purification System
- 2 Holes are for optional wall mounting with wall mounting Bracket
- 3 OPTIONAL Wall Mounting Bracket (Item No. 09.2212)

Notes:

- 1 Dual dimensions are in metric and inch

ELECTRICAL REQUIREMENTS	100-240 V, 50/60 Hz, 2-1A, up to 5 ft from unit
WATER CONNECTIONS	3/4" NPT with manual shut off valve recommended
MIN/MAX INLET PRESSURE	2 - 87 PSI (0.1 - 6 bar)
RECOMMENDED FEED TEMPERATURE	2 - 40°C
RECOMMENDED FEED WATER TYPE	Pure water (Type 2 water)
DRAIN	An atmospheric drain must be available within 5 feet of the final mounting location

Client / Town:	Project:	Scale:
Date:	Name:	
Drawn: 23.10.2014, Avadjeva		
Checked: 23.10.2014, OPP		
Thermo Electron LED GmbH Steinweg 3, D-55507, Heideweiler Tel.: +49 (0)6 021 1 06 99-0		
Dimension sheet		Sheet
MicroPure-ST		Sheets
Index	Amendment	Date
a	geändert	14.11.2014, MA

MB123