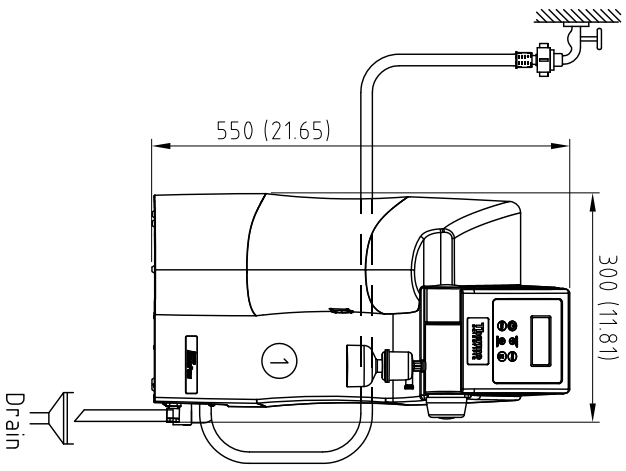
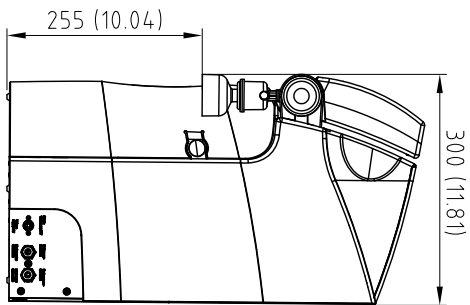


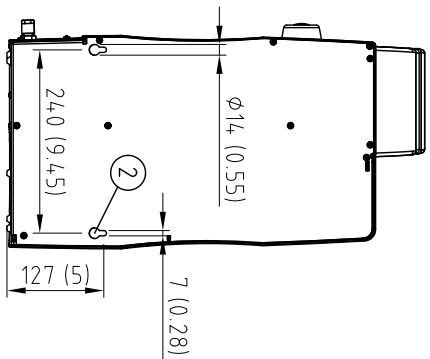
3/4" male NPT fitting with pressure and pretreated feed water supply



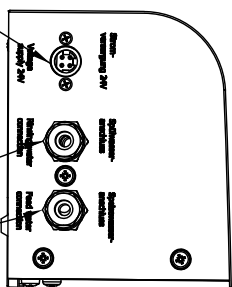
view right side



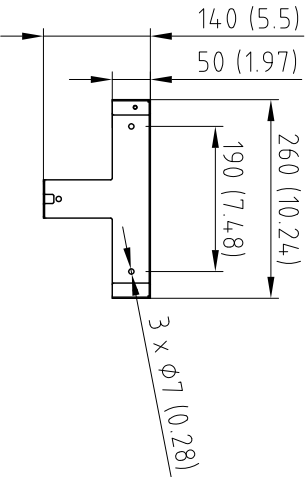
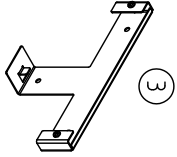
back view



Connection Plate MicroPure



Voltage supply, 24V DC connected over table top power unit
 Voltage, 100-240V, 50/60Hz
 Feed water connection Ø8 mm
 Rising water connection Ø8 mm



Legend:

- 1 Barnstead MicroPure Ultrapure Water Purification System
- 2 Holes are for optional wall mounting with wall mounting Bracket
- 3 OPTIONAL Wall Mounting Bracket (Item No. 09.2212)

Notes:

- 1 Dual dimensions are in metric and inch

ELECTRICAL REQUIREMENTS	100-240 V, 50/60 Hz, 2-1A, up to 5 ft from unit
WATER CONNECTIONS	3/4" NPT with manual shut off valve recommended
MIN/MAX INLET PRESSURE	2 - 87 PSI (0.1 - 6 bar)
RECOMMENDED FEED TEMPERATURE	2 - 40°C
RECOMMENDED FEED WATER TYPE	Pure water (Type 2 water)
DRAIN	An atmospheric drain must be available within 5 feet of the final mounting location

Client / Town:	Project:	Scale:	
Drawn: 27.10.2014 Avadjeva	Name:		
Checked: 27.10.2014 OPP	Date:		
b	geändert	26.11.2014	M.A.
a	geändert	14.11.2014	M.A.
Index	Amendment	Date	Name

Dimension sheet

MicroPure

MB122

Sheet
 Sheets

